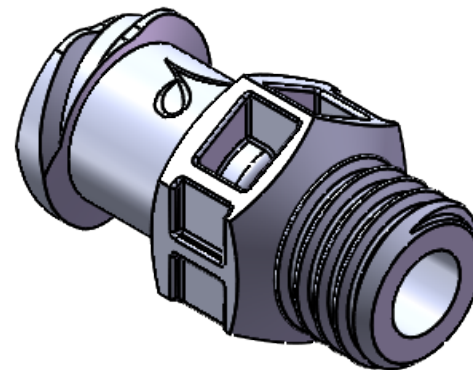
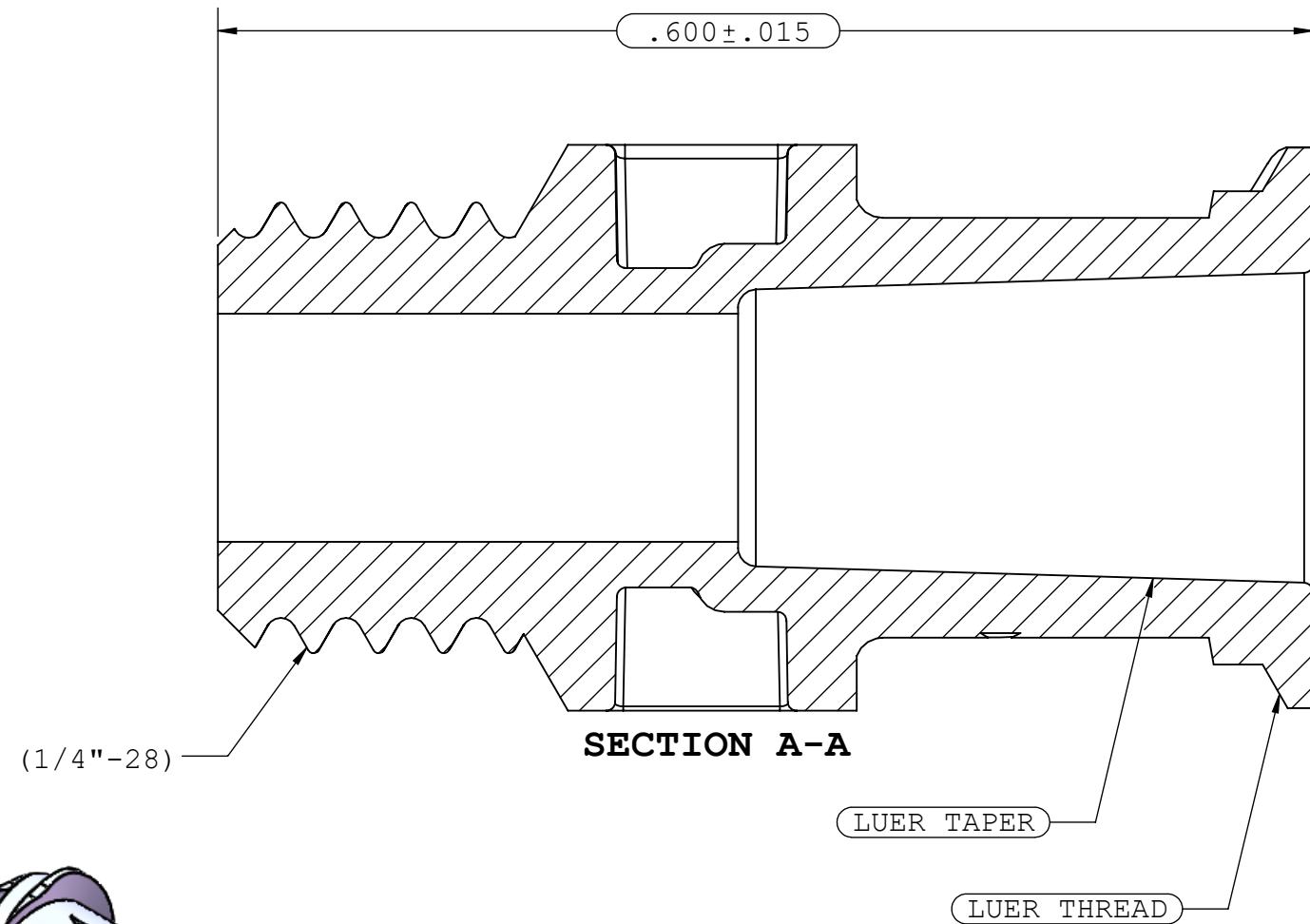
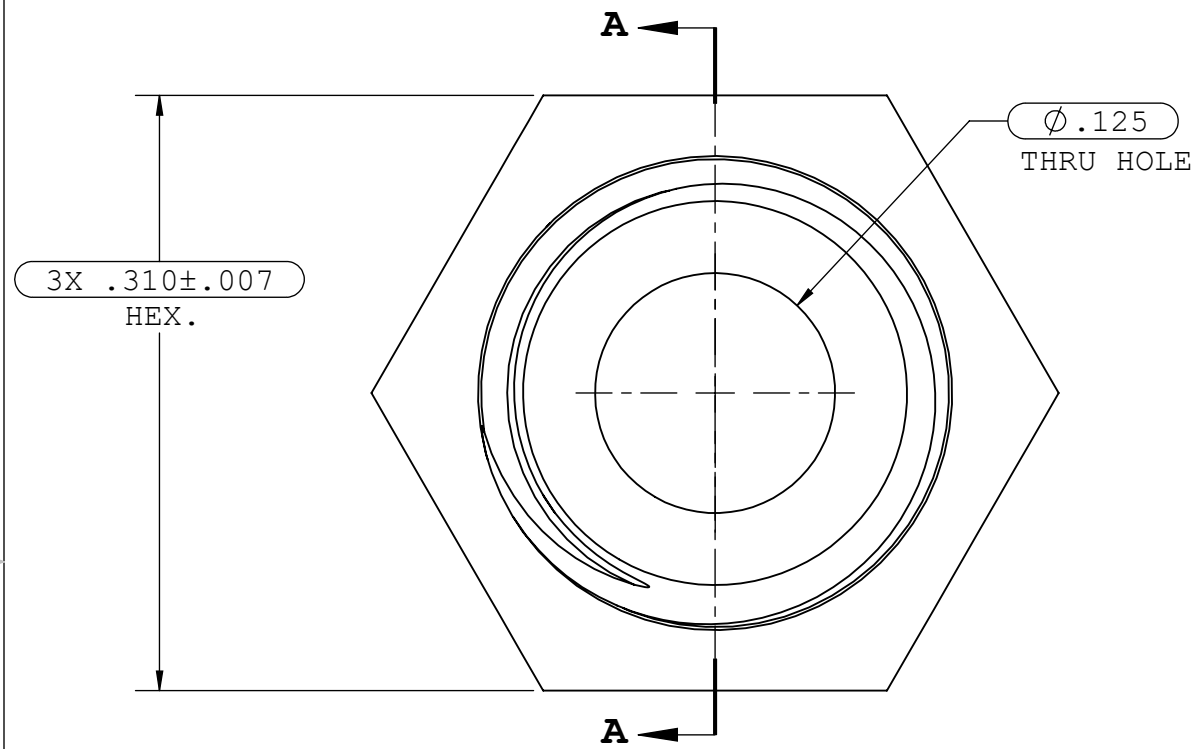


NOTES: 1.FOR ADDITIONAL DETAILS, PLEASE CONTACT VP NEW PRODUCT DEVELOPMENT  
 2.DIMENSIONS MARKED  $\text{\textcircled{\hspace{1cm}}}$  ARE CONTROL DIMENSIONS  
 3.VERIFY THREAD USING CG118 1/4"-28 FUNCTIONAL THREAD GAUGE

REVISIONS			
REV.	DESCRIPTION	DATE	APPROVED
A	INITIAL RELEASE	02-20-98	
B	CO 018 Drafting Update	08-18-05	Rick C.
C	ECO 148- Re-design Hex w/ coring changes	12-29-09	Rick C.
D	ECO 358	03-21-17	FJL
E	ECO 1079196	01-31-20	FJL



UNLESS OTHERWISE SPECIFIED DIMENSIONS ARE IN INCHES TOLERANCES ARE:		<b>VALUE PLASTICS, INC</b>			
FRACTIONS    DECIMAL    ANGULAR $\pm$ .XX $\pm .01$ $\pm 1^\circ$ .XXX $\pm .005$ .XXXX $\pm .001$		PART NUMBER: SFTLL			
DO NOT SCALE DRAWING		DESCRIPTION: Female Luer Thread Style with 5/16" Hex to 1/4"-28 Thread			
DRAWN BY: MICHELE SCHENK	DATE: 1/31/2020	SIZE: <b>B</b>	SCALE: NTS	VER: 	DWG. NO. 1006897
ENGINEERING MGR: R. Cairns		© 2009 VALUE PLASTICS, INC			REV E
				SHEET: 1 OF 1	

**FOR REFERENCE ONLY**